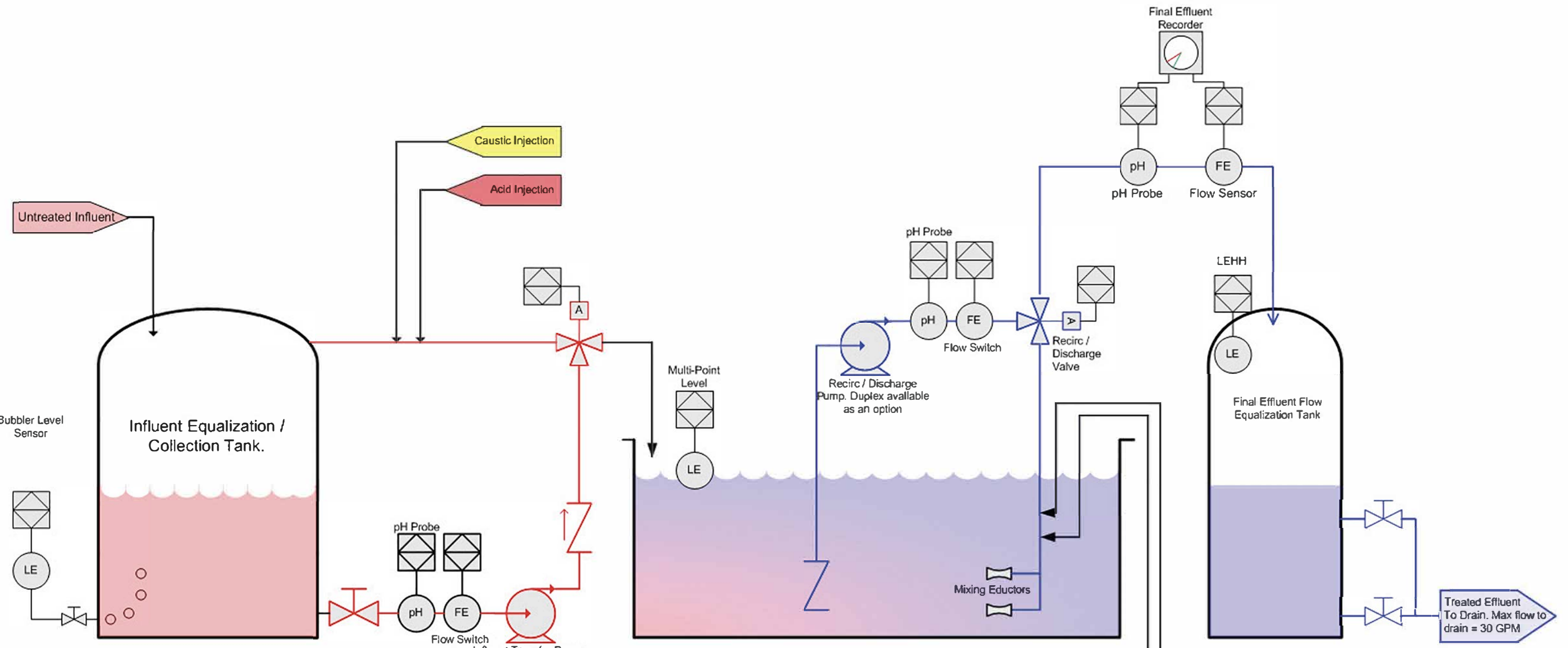




pHASE pH15 pH Adjustment System
 with Influent Equalization and Optional Influent Pretreatment
 and Final Effluent Flow Equalization
Process Flow Diagram



Note:
 This is a typical configuration. Optional equipment such as the influent equalization pretreatment system (consisting of the equalization pH measurement and chemical injection equipment) is not required on all systems and may not be quoted.



Mailing Address: P.O. Box 9058 • San Diego, CA 92169
 Packages Only: 4629 Cass St., Ste. 258 • San Diego, CA 92109
 Cell: (619) 804-4000 • Office: (858) 272-1779 • Fax: (858) 272-1777
 mkduncan@flash.net www.duncanenterprises.com

